

4 DIGIT 13mm LCD WITH SERIAL INPUT

1. FUNCTIONS & FEATURES

- LCD TYPE:

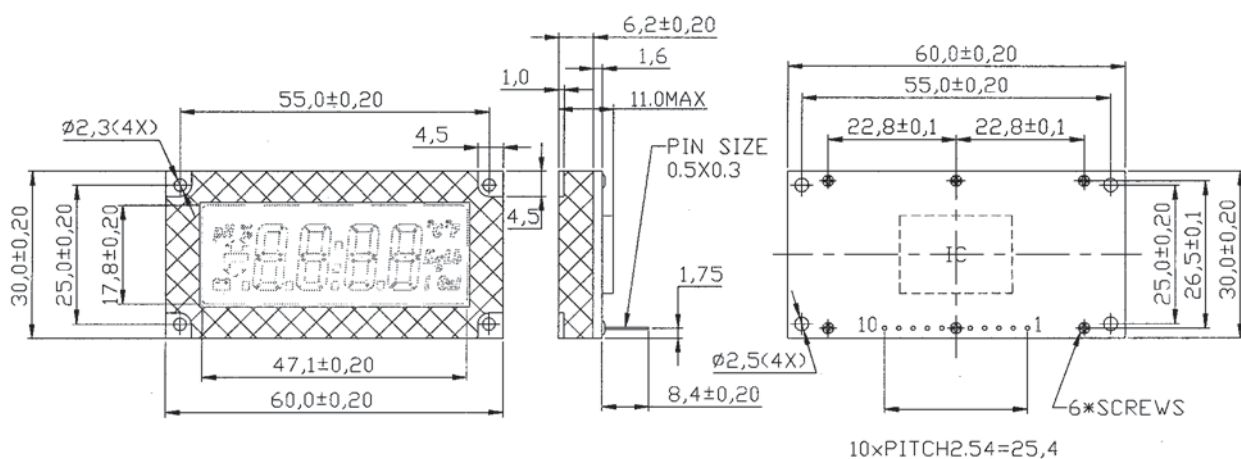
MODULE MODEL	LCD MODEL	BACKLIGHT	LCD TYPE
---	TN	---	Reflective Positive Mode
WK-4002L	TN	LED	Transflective Positive Mode

- Viewing Direction : 6 O'clock
- Driving Scheme : Static display mode
- Power Supply Voltage : 3.0V to 6.0V
- LCD Driving Voltage : 5.0V (typ.)
- Backlight Color : Yellow Green (Lightpipe/Lightguide)
- Interface : Serial
- Operating Temperature : 0°C ~ 50°C
- Storage Temperature : -40°C ~ 70°C

2. MODULE ARTWORK

- Module Size : 60.0 x 30.0 x 11.0 mm (max.)
- Viewing Area : 47.1 x 17.8mm

3. EXTERNAL DIMENSIONS

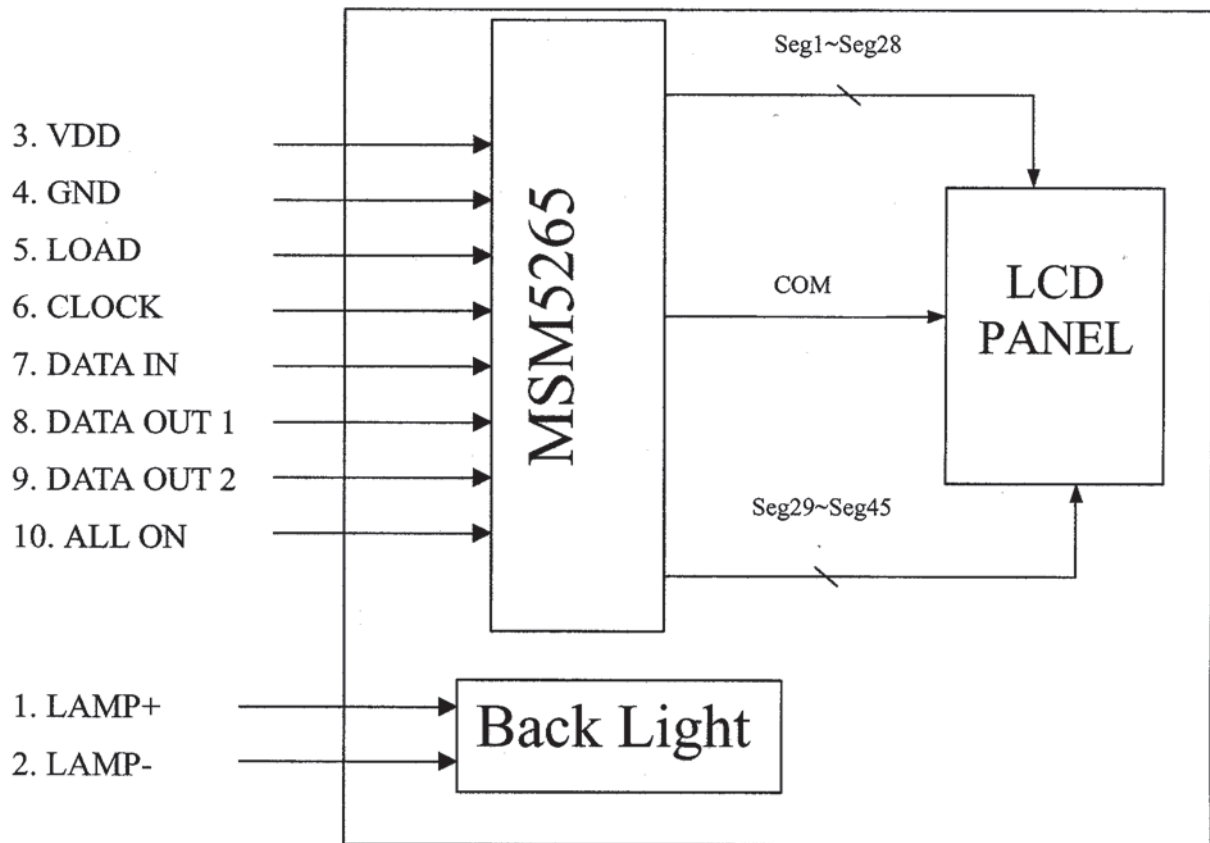


ORDERING CODE

4 DIGIT LCD 13MM WITH SERIAL INPUT, LED BACKLIGHT **EA WK-4002L**

EA WK-4002L

4. BLOCK DIAGRAM



5. PIN ASSIGNMENT

PIN NUMBER	SYMBOL	FUNCTION
1	LAMP+	Terminal for backlighting with limiting resistor
2	LAMP-	
3	VDD	Supply terminal of module.
4	GND	Ground terminal of module.
5	LOAD	Load input causes a parallel load of the data from the shift register to the latches at logic "1".
6	CLOCK	Clock input.
7	DATA IN	Data input terminal. A logic "1" on DATA IN causes a segment to be visible.
8	DATA OUT 1	The 80 th stage of the shift register contents is output from this pin.
9	DATA OUT 2	The 160 th stage of the shift register contents is output from this pin.
10	ALL ON	All segment display turn "on" at logic "1", tied to "0" when not used.

